

BMS DALI-2 - Multisensoren

PD2N-BMS DALI-2



white, similar to RAL9010 ,white, similar to RAL9010 ,
Part No. 93544 Part No. 93543

Product Information

- DALI-2 multisensor (input device)
- DALI-2 certified product
- Powered via DALI bus
- Bright LED indication for commissioning
- DALI multimaster technology according to IEC 62386 part 103
- Instance 0 provides information regarding occupancy and movement for the DALI-Bus according to IEC 62386 part 303
- Instance 1 provides LUX values for the DALI-Bus according to IEC 62386 part 304
- Parameterisation is possible via mandatory Multimaster-Application-Controller of any manufacturer. This controller must support IEC 62386 parts 101/103/303/304.
- Mixed light measurement with internal and external light sensor
- Detection area can be restricted with blinds
- Individual adaption of the PIR sensor sensitivity
- Status LEDs can be activated / deactivated
- **Application examples:**
staircases, small offices, open-plan offices, conference rooms, classrooms/seminar rooms

Technical Data

Voltage: via DALI Bus, max. 22.5 V DC

Dimensions: FM= Ø 106 x 42 mm
FC= Ø 83 x 55 mm

Settings:	via DALI-Bus and application which supports DALI multisensors according to IEC62386. parts 101. 103. 303 and 304
typ. power input:	7 mA
Detection area:	horizontal 360° (Ceiling mounting)
Range:	max. Ø 10 m across max. Ø 6 m towards max. Ø 4 m seated
Monitored area (tangential movement):	78 m ² / 2.5 m mounting height
Mounting height min./max./recommended:	2 m / 5 m / 2.5 m
Degree / class of protection:	FM= IP20 / Class II FC= IP20 / Class II
Impact strength:	IK05
Measured light output:	0 - 4095 Lux, Mixed light measuring
Ambient temperature:	-25 °C to +55 °C
Housing:	polycarbonate, UV-resistant

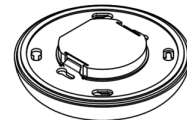
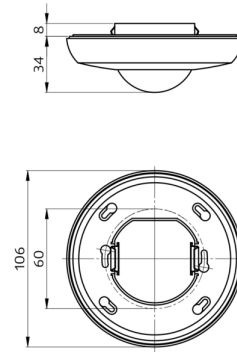
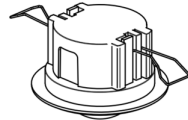
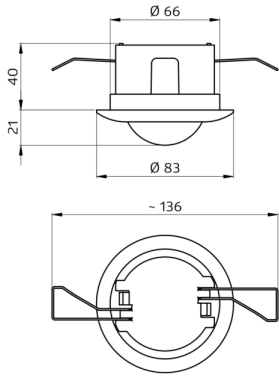
Description

Description	Colour	Part number	EAN number
PD2N-BMS-FM DALI-2	white, similar to RAL9010	93544	4007529935444
PD2N-BMS-FC DALI-2	white, similar to RAL9010	93543	4007529935437

Accessory

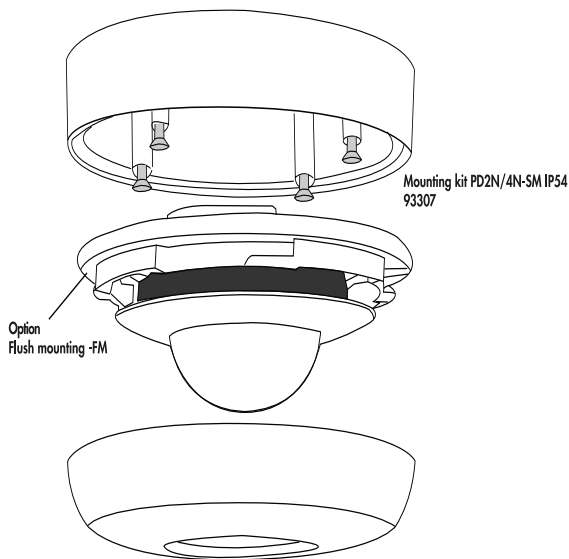
Description	Colour	Part number	EAN number
SM socle mounting set IP54 PD2N- / PD4N-FM	black mat, similar to RAL9005	93753	4007529937530
SM socle mounting set IP54 PD2N- / PD4N-FM	traffic white mat, similar to RAL9016	93752	4007529937523
SM socle mounting set IP54 PD2N- / PD4N-FM	anthracite mat, similar to RAL7016	93751	4007529937516
SM socle mounting set IP54 PD2N- / PD4N-FM	white	93307	4007529933075
Cover ring PD2N FM	black mat, similar to RAL9005	93763	4007529937639
Cover ring PD2N FM	traffic white mat, similar to RAL9016	93762	4007529937622
Cover ring PD2N FM	anthracite mat, similar to RAL7016	93761	4007529937615

Description	Colour	Part number	EAN number
Wire basket BSK (Ø 200 x 90 white mm)		92199	4007529921997

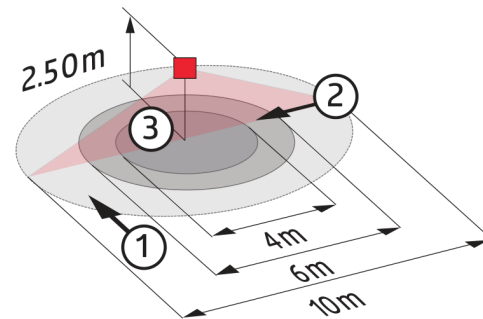


Dimensions 93543

Dimensions 93544

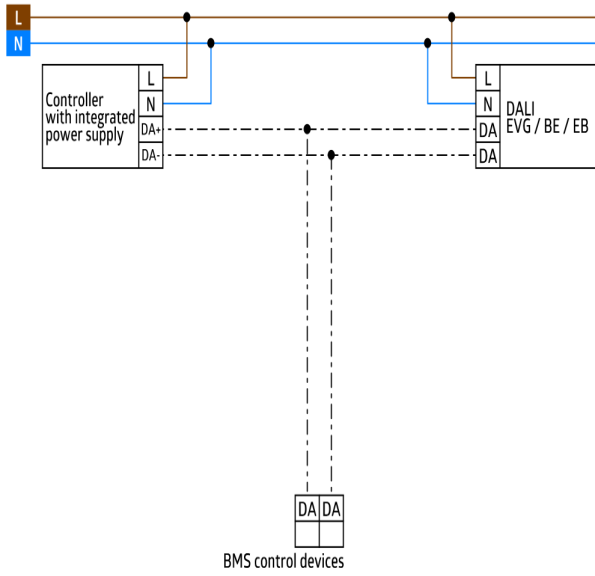


Surface-mount version (SM)



Range diagram

- 1: Walking across
- 2: Walking towards
- 3: Seated activity



Wiring diagrams

© 2023 B.E.G. Brück Electronic GmbH